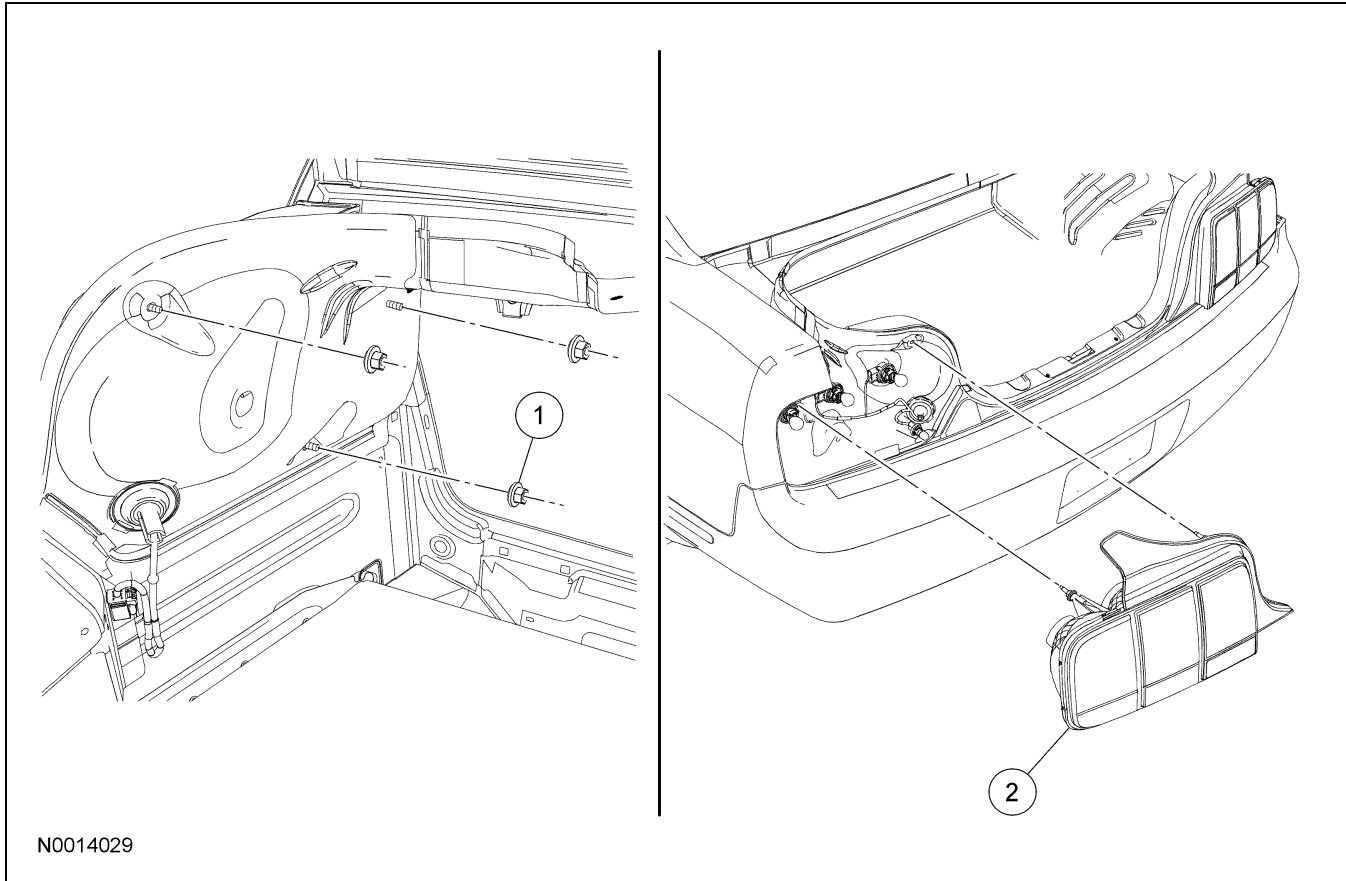


REMOVAL AND INSTALLATION

Rear Lamp Assembly



Item	Part Number	Description
1	N621906-S424	Rear lamp mounting nuts
2	13B404/13B405	Rear lamp assembly (RH/LH)

Removal and Installation

1. Remove the rear luggage compartment trim panel.
2. Remove the LH side luggage compartment trim panel.
3. Remove the 3 rear lamp mounting nuts.
 - To install, tighten to 6 Nm (53 lb-in).
4. Remove the rear lamp assembly.
5. Remove the bulbs from the rear lamp assembly.
6. To install, reverse the removal procedure.