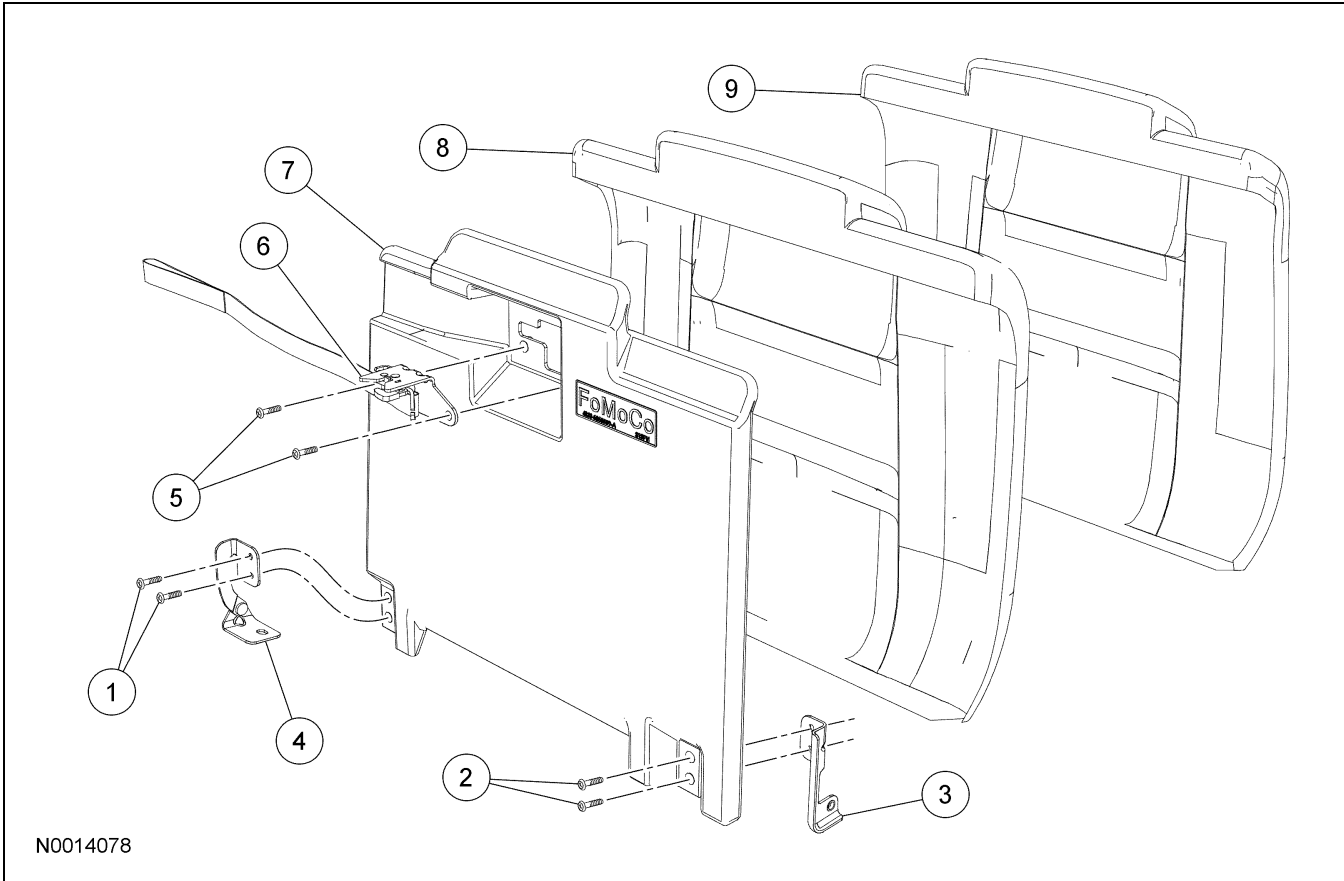


DISASSEMBLY AND ASSEMBLY

Rear Seat Backrest — Coupe




Item	Part Number	Description
1	—	Rivet (2 required)
2	—	Rivet (2 required)
3	—	Inboard pivot bracket
4	60515	Outboard pivot bracket
5	—	Rivet (2 required)
6	—	Backrest latch assembly
7	60509	Backrest panel
8	—	Backrest foam pad
9	66601	Backrest trim cover

Disassembly

1. Remove the rear seat cushion. For additional information, refer to Rear Seat Cushion in this section.

2. Remove the rear seat backrest. For additional information, refer to Rear Seat Backrest in this section.
3. Release the backrest trim cover J-strip and remove the staples.
4. Pull the backrest panel out from the backrest foam pad and backrest trim cover.
 - Upon assembly, the latch release strap must come through the trim cover.
5. Remove the 4 rivets and the pivot brackets.
6. Remove the rivets, separate the pin-type retainer from the cable end and remove the backrest latch assembly.

DISASSEMBLY AND ASSEMBLY (Continued)

7.  **CAUTION: Use care when separating the seat backrest trim cover from the hook and loop strip. The hook and loop strip can be torn from the seat backrest foam.**

Release the hook and loop strips and separate the backrest trim cover from the backrest foam pad.

8. To assemble, reverse the disassembly procedure.